


Copyright 2025 - Timber Frame HQ. Reproduction and/or use without written permission is prohibited. These are Design Only plans unless sealed by a State Licensed Professional Engineer. TFHQ assumes no responsibility and does not warranty these plans

 **Timber Frame HQ**
P.O. Box 133
Mountain Rest, SC 29664
888-552-9379
timberframehq.com

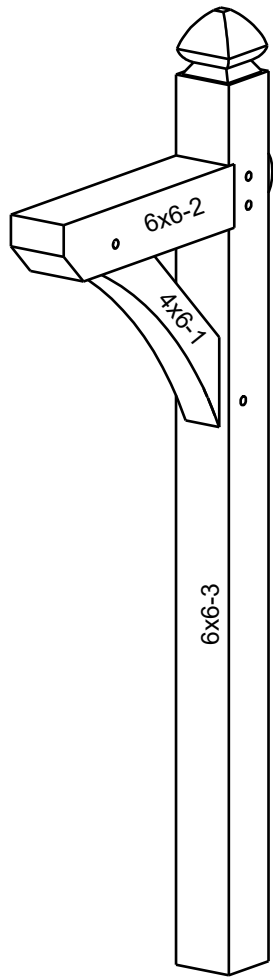


Timber Mail Box

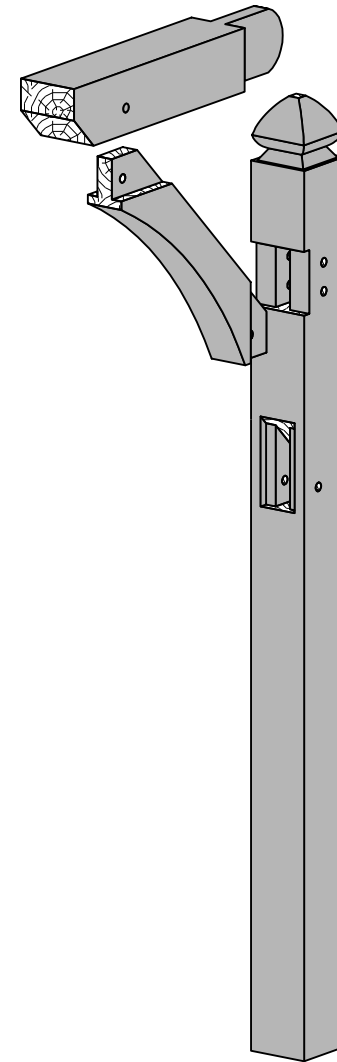
DATE:	06-04-25
REV.:	
Designer:	TM

SHEET NO:

1



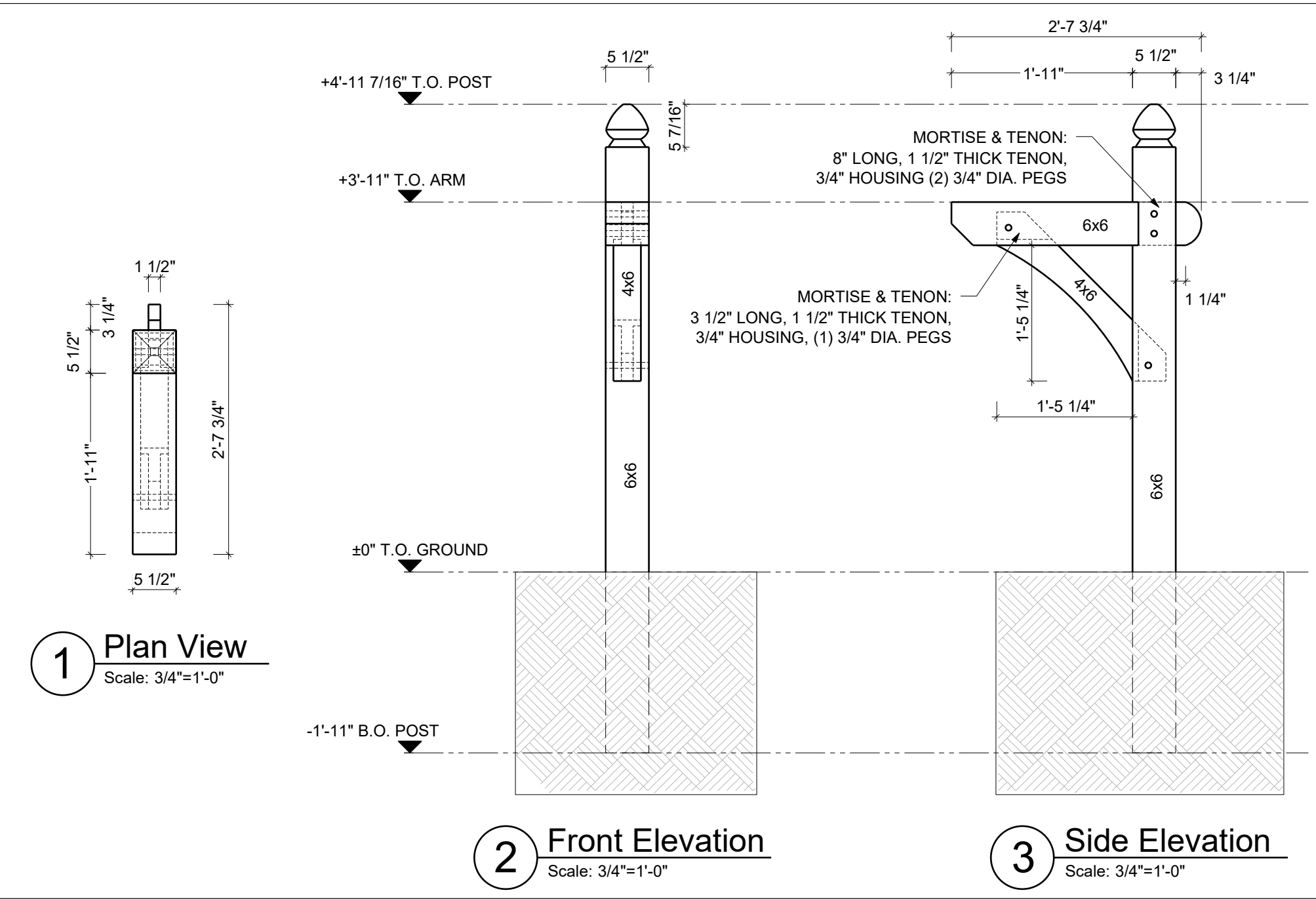
1 3d View: Production #
Scale: NTS



2 3d View: Exploded
Scale: NTS

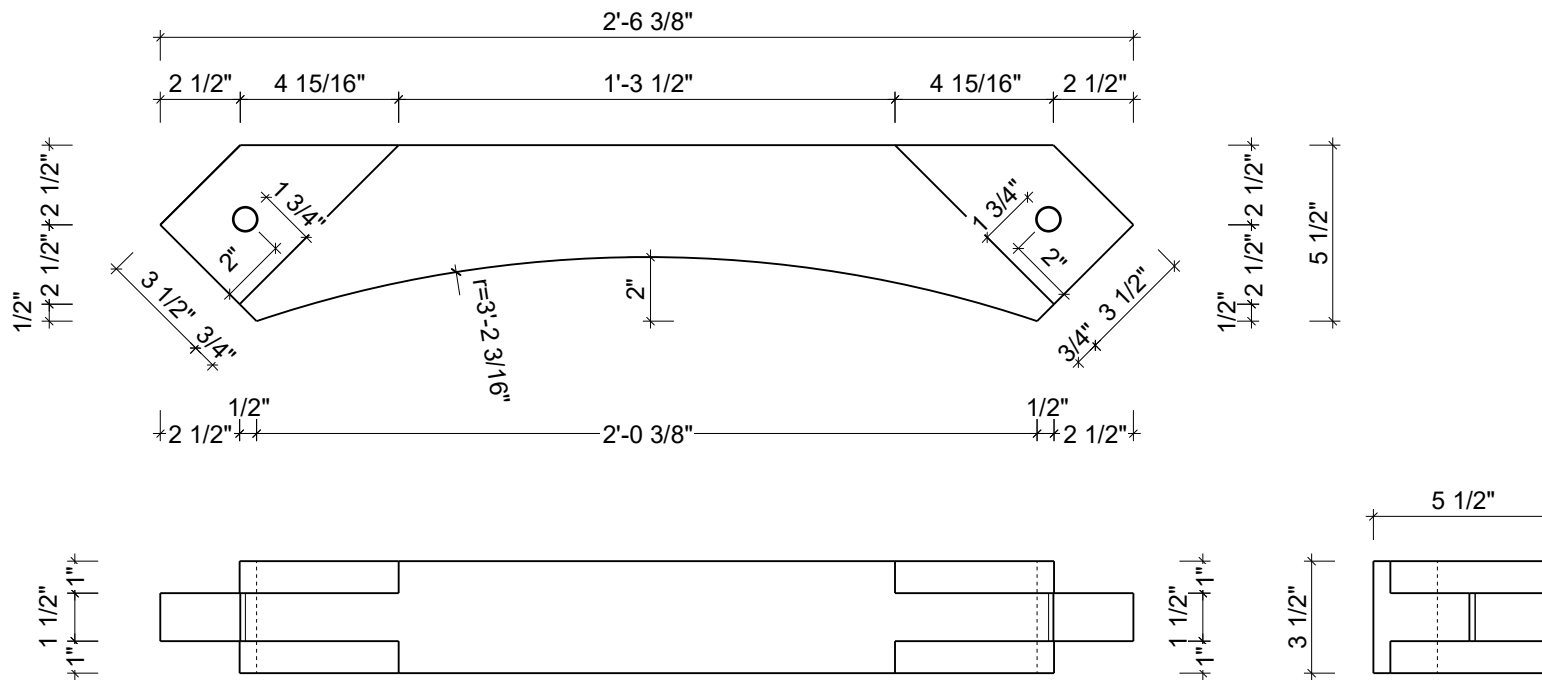
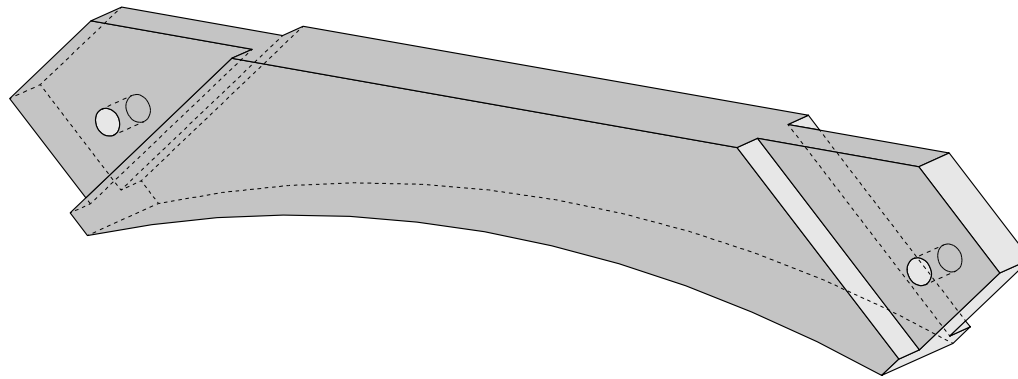
Copyright 2025 - Timber Frame HQ. Reproduction and/or use without written permission is prohibited. These are Design Only plans unless sealed by a State Licensed Professional Engineer. TFHQ assumes no responsibility and does not warranty these plans





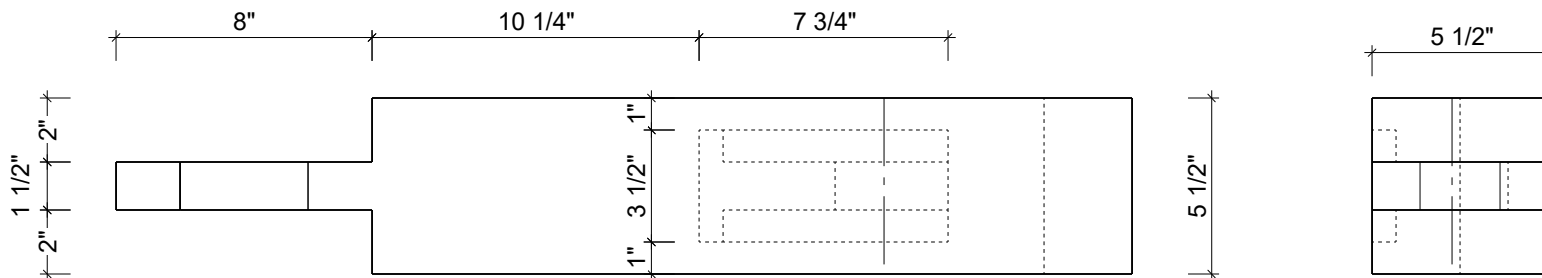
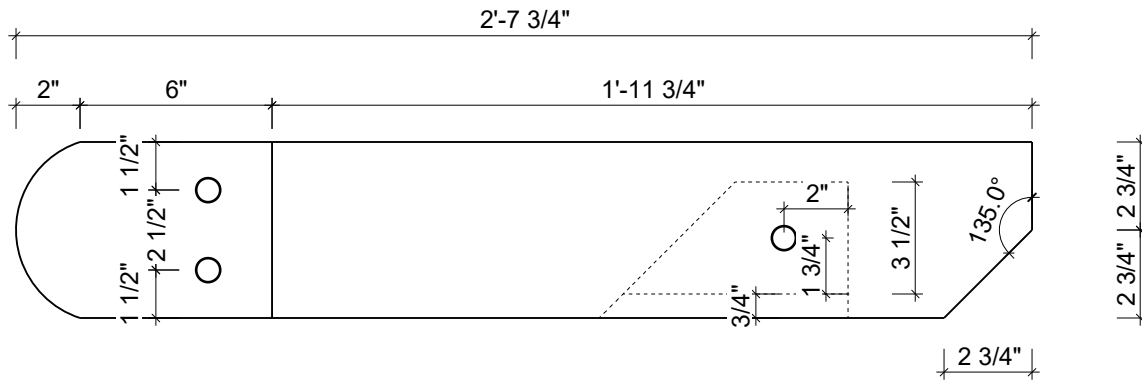
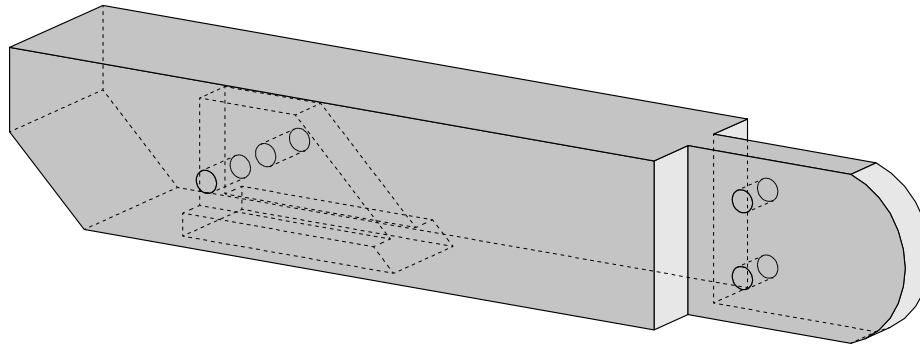
Copyright 2025 - Timber Frame HQ. Reproduction and/or use without written permission is prohibited. These are Design Only plans unless sealed by a State Licensed Professional Engineer. TFHQ assumes no responsibility and does not warranty these plans





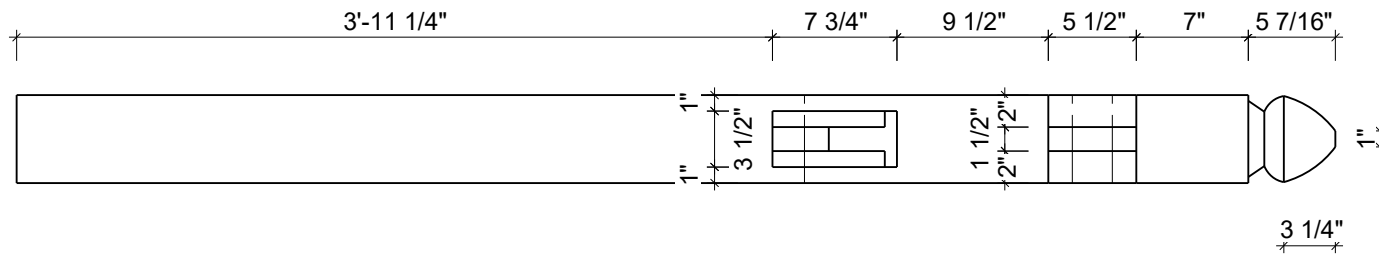
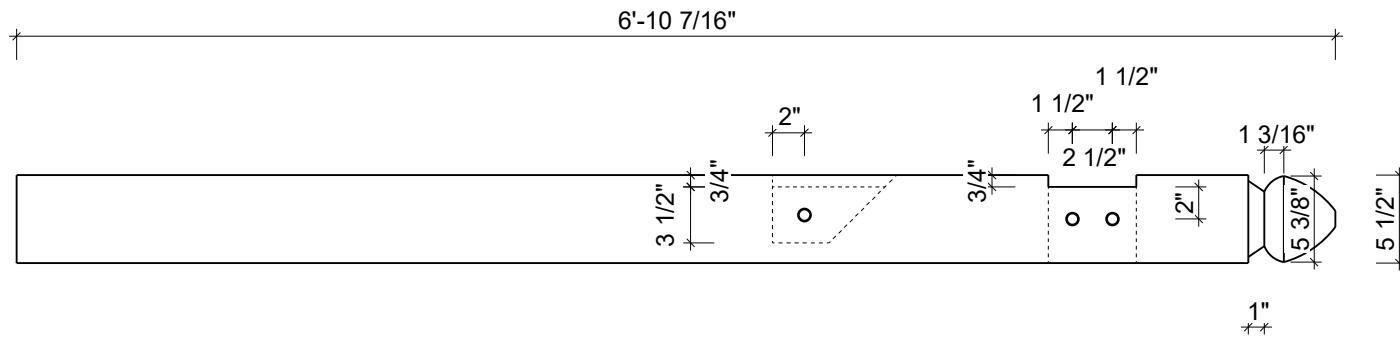
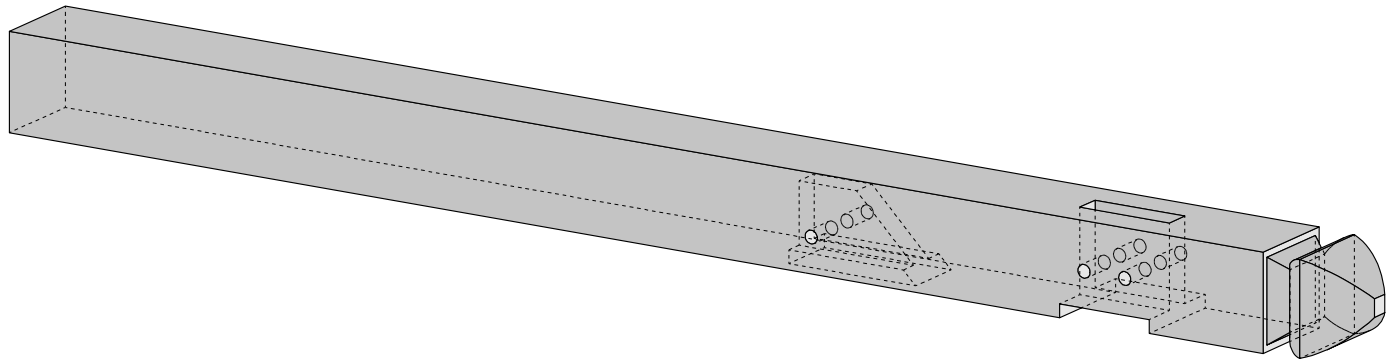
Copyright 2025 - Timber Frame HQ. Reproduction and/or use without written permission is prohibited. These are Design Only plans unless sealed by a State Licensed Professional Engineer. TFHQ assumes no responsibility and does not warranty these plans





Copyright 2025 - Timber Frame HQ. Reproduction and/or use without written permission is prohibited. These are Design Only plans unless sealed by a State Licensed Professional Engineer. TFHQ assumes no responsibility and does not warranty these plans





Copyright 2025 - Timber Frame HQ. Reproduction and/or use without written permission is prohibited. These are Design Only plans unless sealed by a State Licensed Professional Engineer. TFHQ assumes no responsibility and does not warranty these plans



TIMBER CUTLIST

Project name: Timbered Mail Box Post

Date: 01-27-2026



Timber Ordering Note: Timbers shorter than 8 feet have their rough length rounded to the nearest foot. This is because it is advisable to order these pieces in longer timber lengths. For instance, two 7-foot pieces should be ordered as one 14-foot piece.

Name	QTY	Species	Grade	Nominal Width	Nominal Height	Nominal Length	Nominal Vol.	Actual Width	Actual Height	Actual Length
				[inch]	[inch]	[inch]	[bdft]	[inch]	[inch]	[inch]
Brace	1	Douglas fir		4"	6"	3'	6.0	3 1/2"	5 1/2"	2'-6 3/8"
Arm	1	Douglas fir		6"	6"	3'	9.0	5 1/2"	5 1/2"	2'-7 3/4"
Post	1	Douglas fir		6"	6"	7'	21.0	5 1/2"	5 1/2"	6'-10 7/16"
Total sum	3						36.0			

HARDWARE AND PEGS

Project name: Timbered Mail Box Post

Date: 01-27-2026



Peg List Notes: Round pegs up to 10" Lengths. Pegs should be cut to length during and after assembly.

TL (Timberlinx) Notes: If Applicable: TL Drillings are signifying the diameter of the drilled holes. Order 1 1/8" dia. pegs to plug those holes. These pegs or plugs do not have to be long, Just enough to engage the hole and cover the embedded hardw are. The TL anchors are included w ith ordering the TL Part. You do not have to order the anchors separately. You will need 7/8 threaded rods for these connections. This is not included in the list below .

QTY	SKU#	Manufacturer	Manufacturer Name	TFHQ Product Name	Type	URL
4		TFHQ		3/4" x 10" White Oak Peg	Wooden	