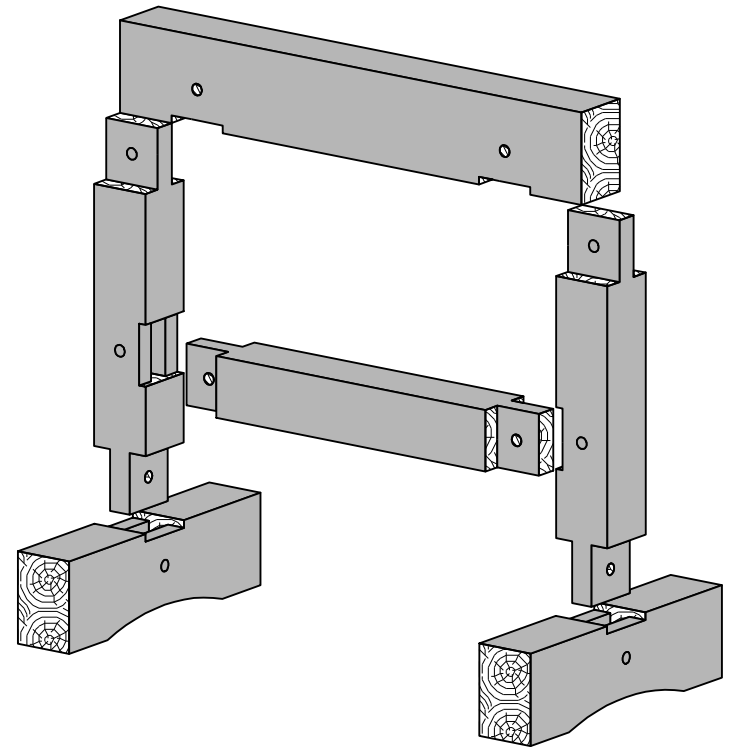



**1** 3d View: Production #  
Scale: NTS



**2** 3d View: Exploded  
Scale: NTS

Copyright 2025 - Timber Frame HQ. Reproduction and/or use without written permission is prohibited. These are Design Only plans unless sealed by a State Licensed Professional Engineer. TFHQ assumes no responsibility and does not warranty these plans

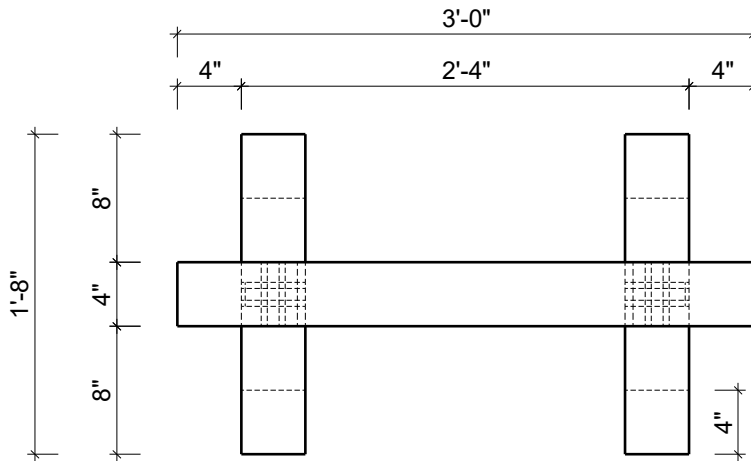
**Timber Frame HQ**  
 P.O. Box 133  
 Mountain Rest, SC 29664  
 888-552-9379  
 timberframehq.com



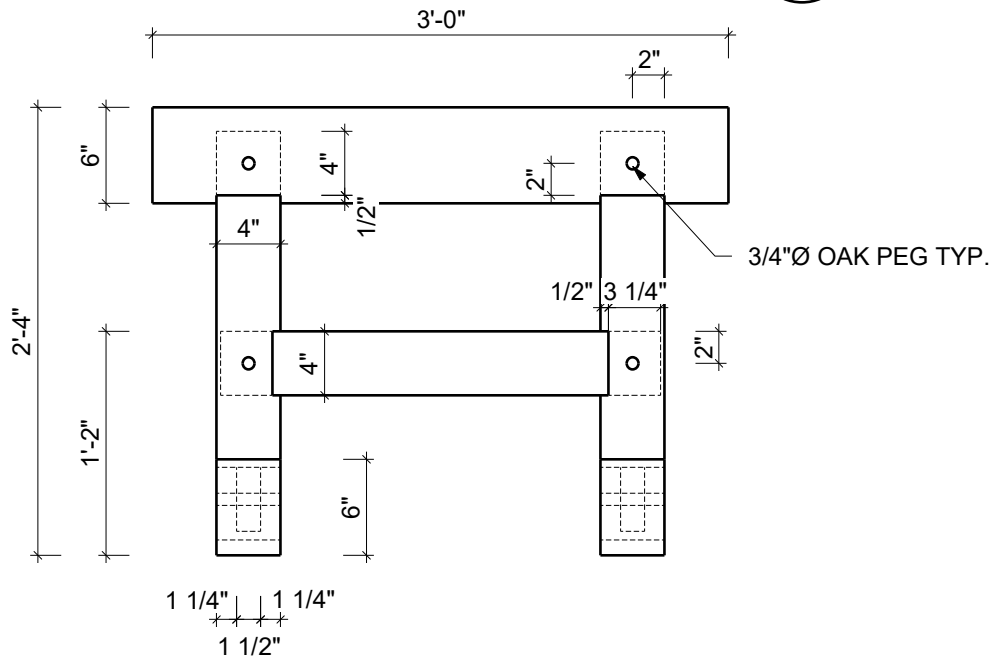
# Timber Frame Sawhorse

DATE:	06-02-25
REV.:	
Designer:	

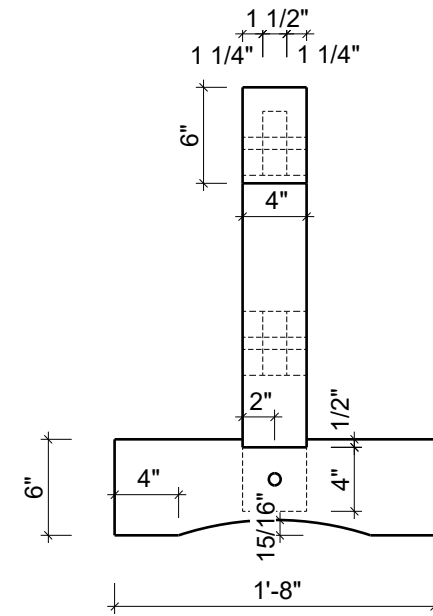
SHEET NO:	<b>1</b>
-----------	----------



**1** Plan View  
Scale: 1"=1'-0"



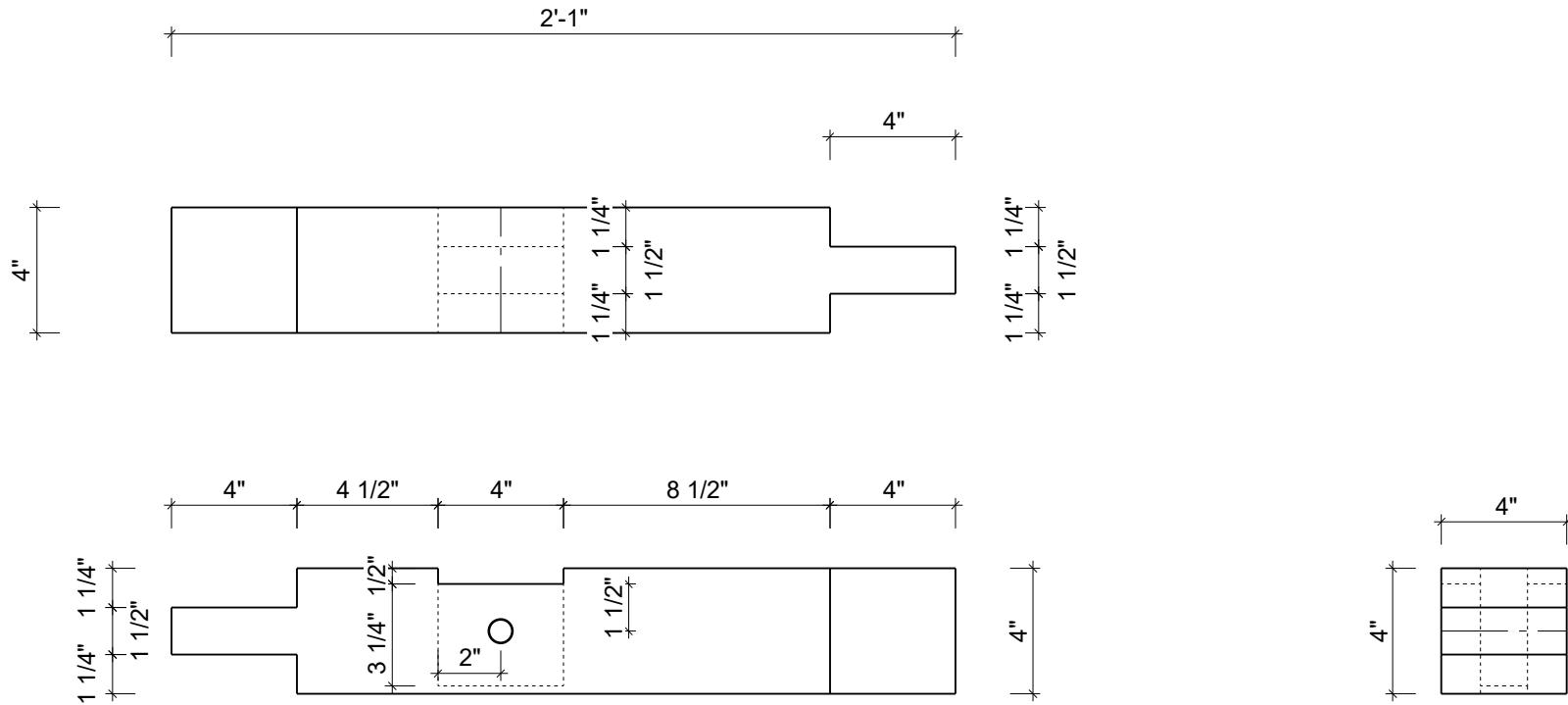
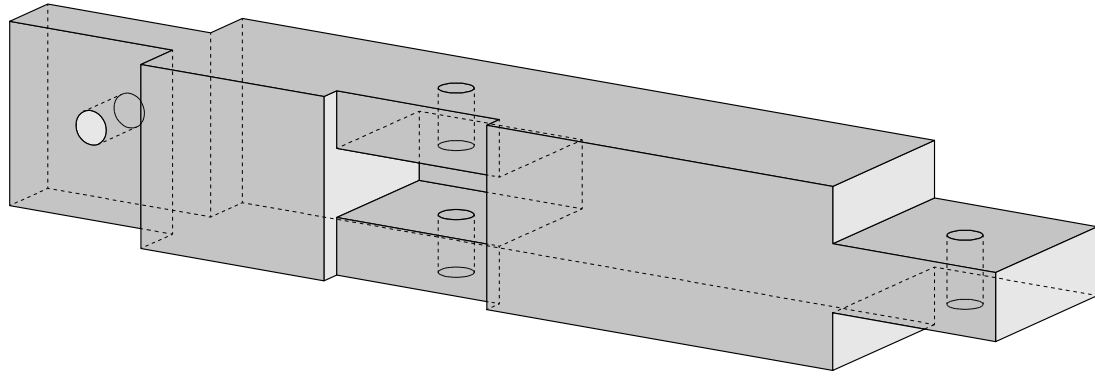
**2** Front Elevation  
Scale: 1"=1'-0"




**3** Side Elevation  
Scale: 1"=1'-0"

Copyright 2025 - Timber Frame HQ. Reproduction and/or use without written permission is prohibited. These are Design Only plans unless sealed by a State Licensed Professional Engineer. TFHQ assumes no responsibility and does not warranty these plans





Copyright 2025 - Timber Frame HQ. Reproduction and/or use without written permission is prohibited. These are Design Only plans unless sealed by a State Licensed Professional Engineer. TFHQ assumes no responsibility and does not warranty these plans



**Timber Frame HQ**  
 P.O. Box 133  
 Mountain Rest, SC 29664  
 888-552-9379  
 timberframehq.com



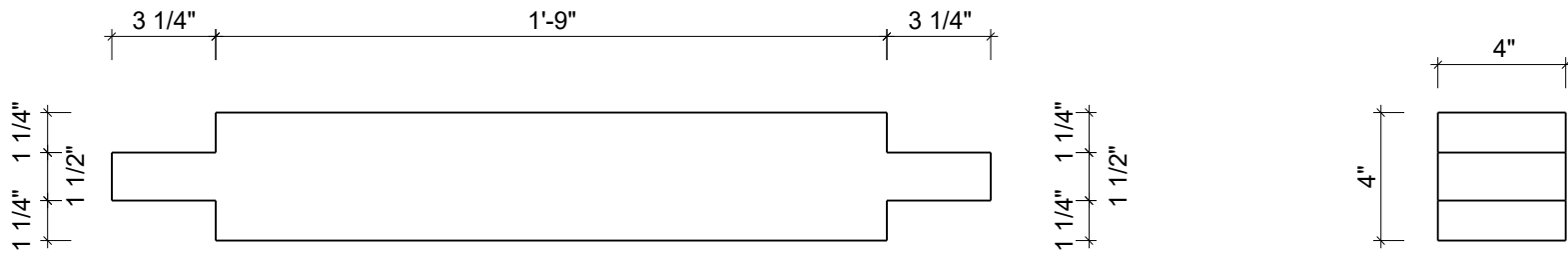
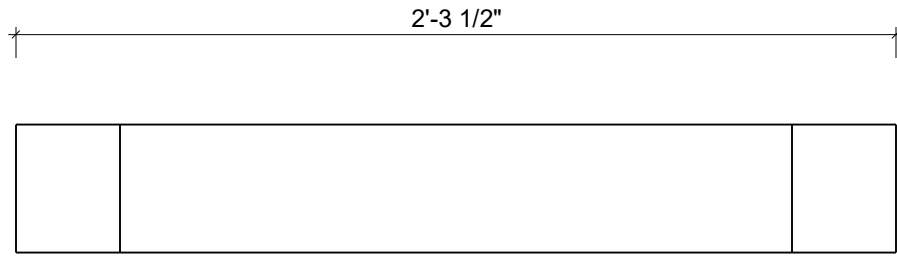
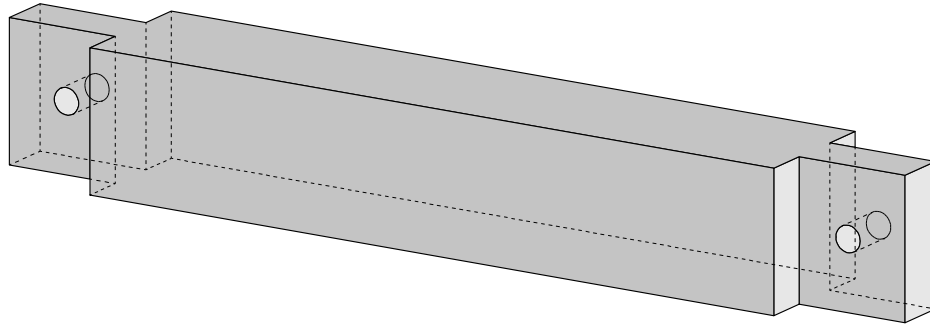
# Timber Frame Sawhorse

DATE: 06-02-25  
 REV.:  
 Designer:

**Post**  
 QUANTITY: 2

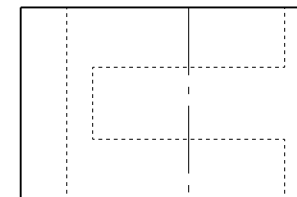
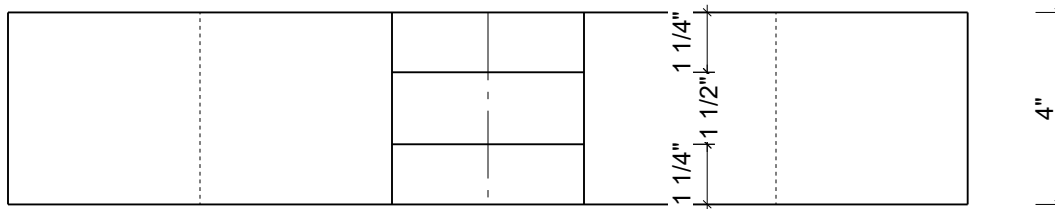
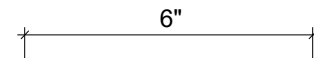
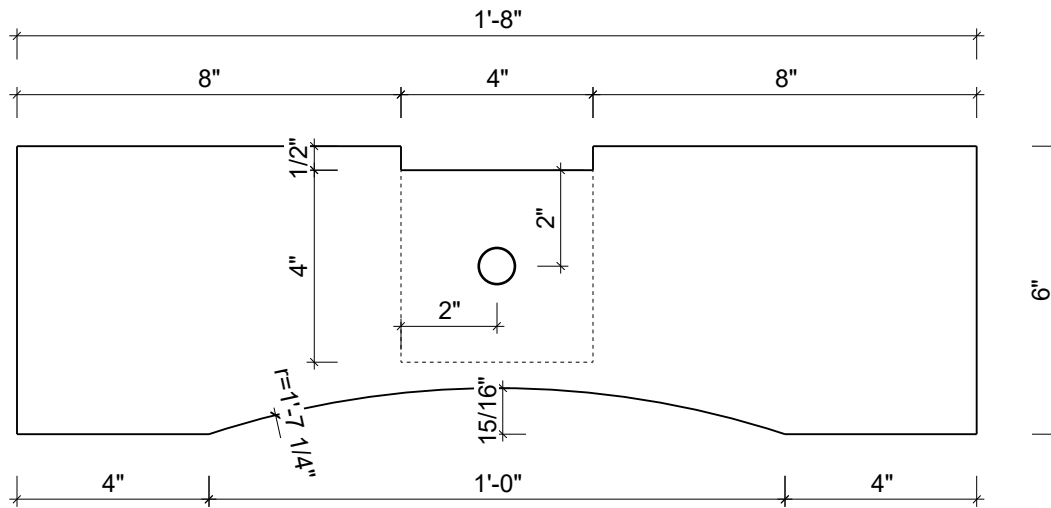
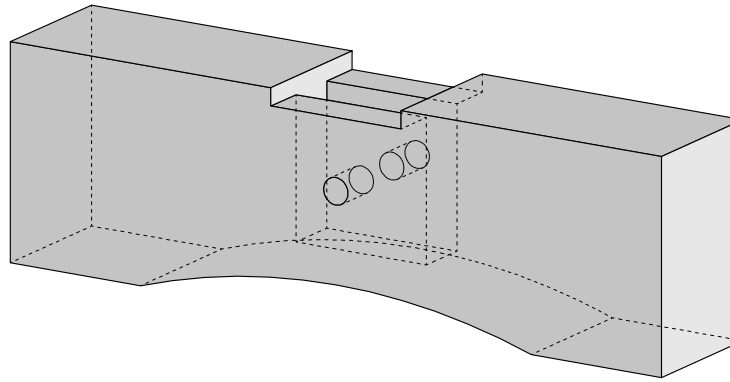
PROD. NO:  
**1**

SHEET NO:  
**3**




Copyright 2025 - Timber Frame HQ. Reproduction and/or use without written permission is prohibited. These are Design Only plans unless sealed by a State Licensed Professional Engineer. TFHQ assumes no responsibility and does not warranty these plans





Copyright 2025 - Timber Frame HQ. Reproduction and/or use without written permission is prohibited. These are Design Only plans unless sealed by a State Licensed Professional Engineer. TFHQ assumes no responsibility and does not warranty these plans



**Timber Frame HQ**  
 P.O. Box 133  
 Mountain Rest, SC 29664  
 888-552-9379  
 timberframehq.com



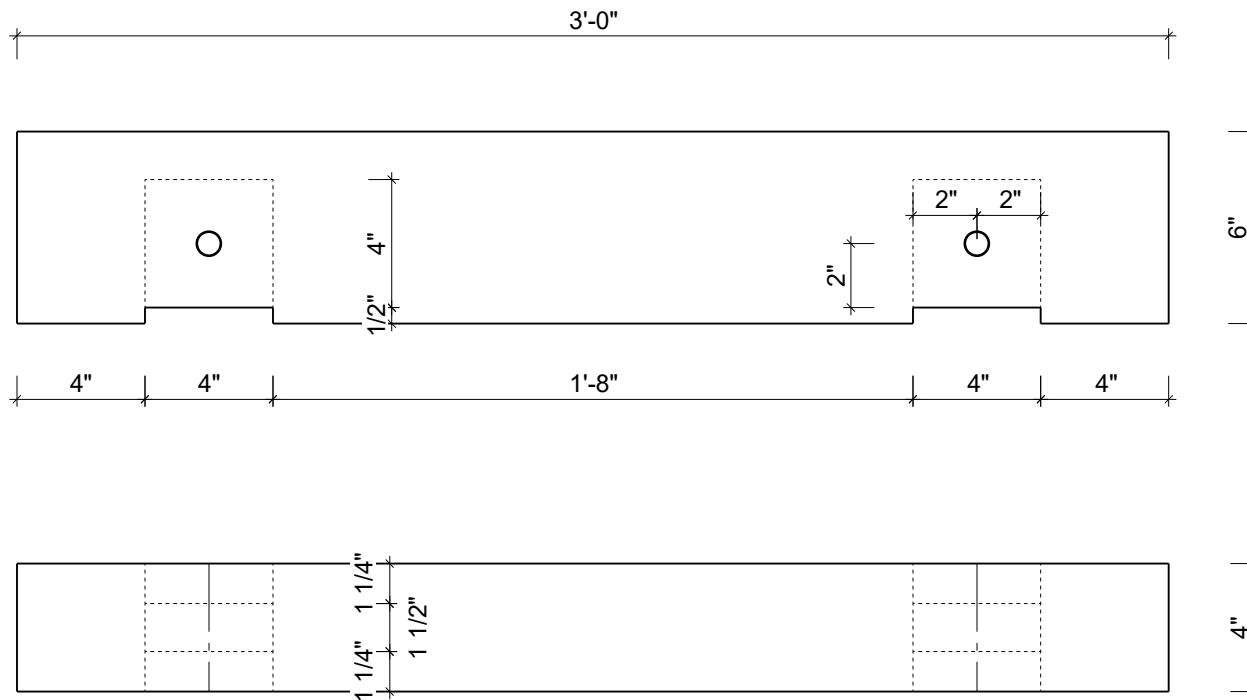
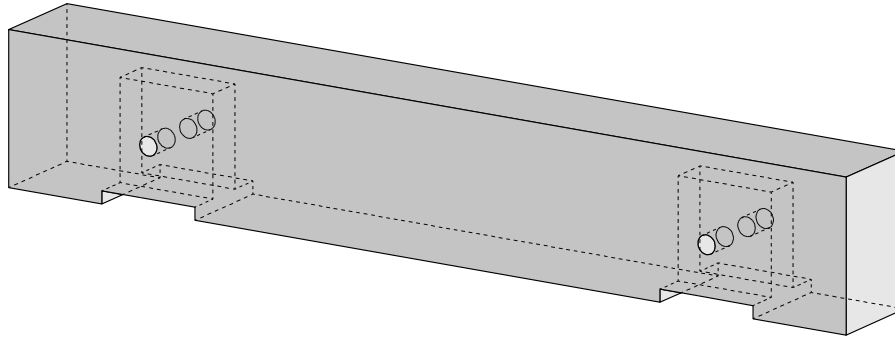
# Timber Frame Sawhorse

DATE: 06-02-25  
 REV.:  
 Designer:

**Base**  
 QUANTITY: 2

PROD. NO:  
**3**

SHEET NO:  
**5**



Copyright 2025 - Timber Frame HQ. Reproduction and/or use without written permission is prohibited. These are Design Only plans unless sealed by a State Licensed Professional Engineer. TFHQ assumes no responsibility and does not warranty these plans



# HARDWARE AND PEGS

**Project name:** Timber Frame Saw horse

**Date:** 01-27-2026



Peg List Notes: Round pegs up to 10" Lengths. Pegs should be cut to length during and after assembly.

TL (Timberlinx) Notes: If Applicable: TL Drillings are signifying the diameter of the drilled holes. Order 1 1/8" dia. pegs to plug those holes. These pegs or plugs do not have to be long, Just enough to engage the hole and cover the embedded hardw are. The TL anchors are included w ith ordering the TL Part. You do not have to order the anchors separately. You will need 7/8 threaded rods for these connections. This is not included in the list below .

QTY	SKU#	Manufacturer	Manufacturer Name	TFHQ Product Name	Type	URL
6		TFHQ		3/4" x 10" White Oak Peg	Wooden	