

1 3d View: Production #
 Scale: NTS

Copyright 2025 - Timber Frame HQ. Reproduction and/or use without written permission is prohibited. These are Design Only plans unless sealed by a State Licensed Professional Engineer. TFHQ assumes no responsibility and does not warranty these plans

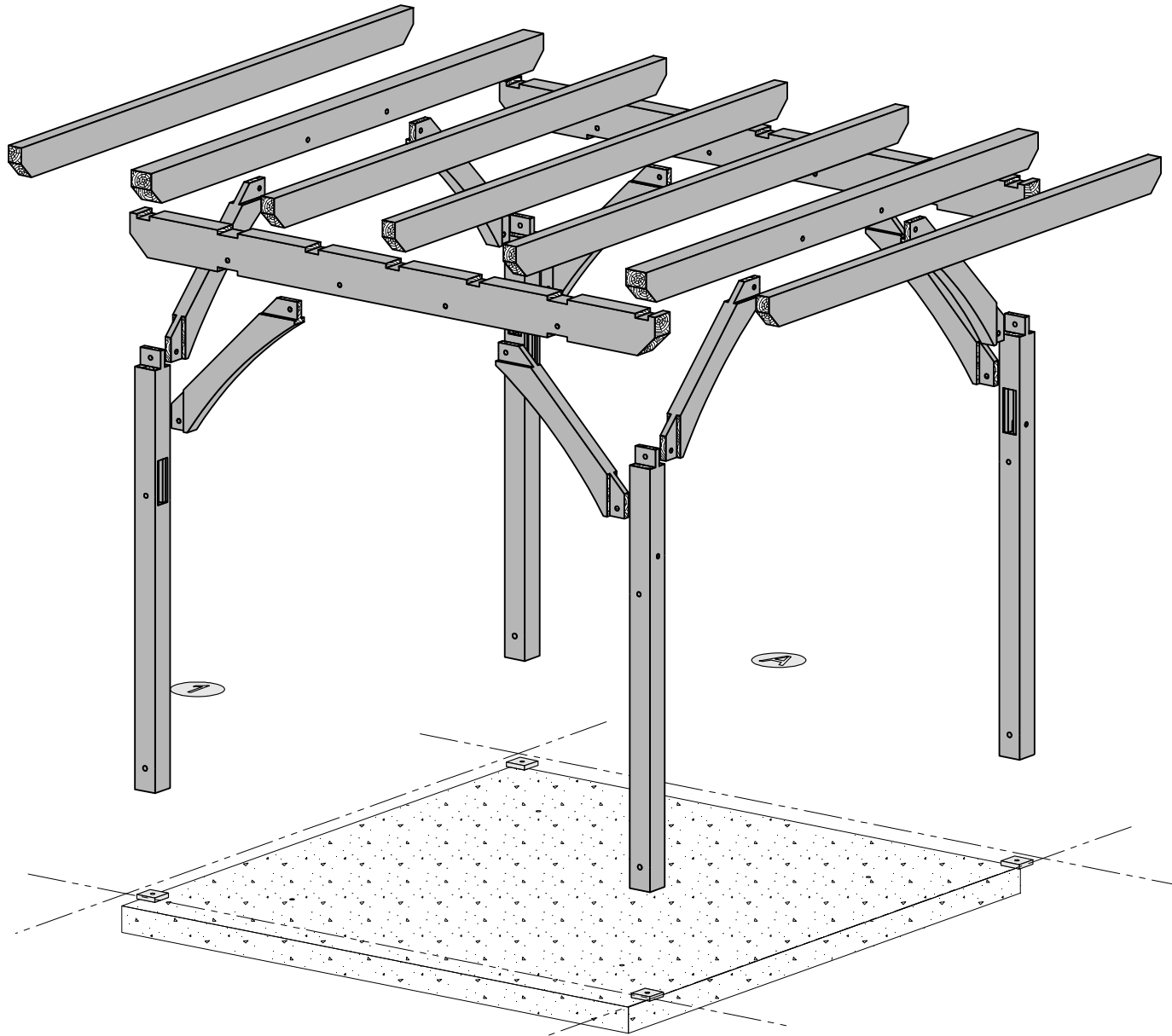
Timber Frame HQ
 P.O. Box 133
 Mountain Rest, SC 29664
 888-552-9379
 timberframehq.com



8x8 Pergola

DATE:	05-14-25
REV.:	
DRAWN BY:	TM

SHEET NO:	1
-----------	----------



1 3d View: Exploded
Scale: NTS

Copyright 2025 - Timber Frame HQ. Reproduction and/or use without written permission is prohibited. These are Design Only plans unless sealed by a State Licensed Professional Engineer. TFHQ assumes no responsibility and does not warranty these plans

Timber Frame HQ
P.O. Box 133
Mountain Rest, SC 29664
888-552-9379
timberframehq.com

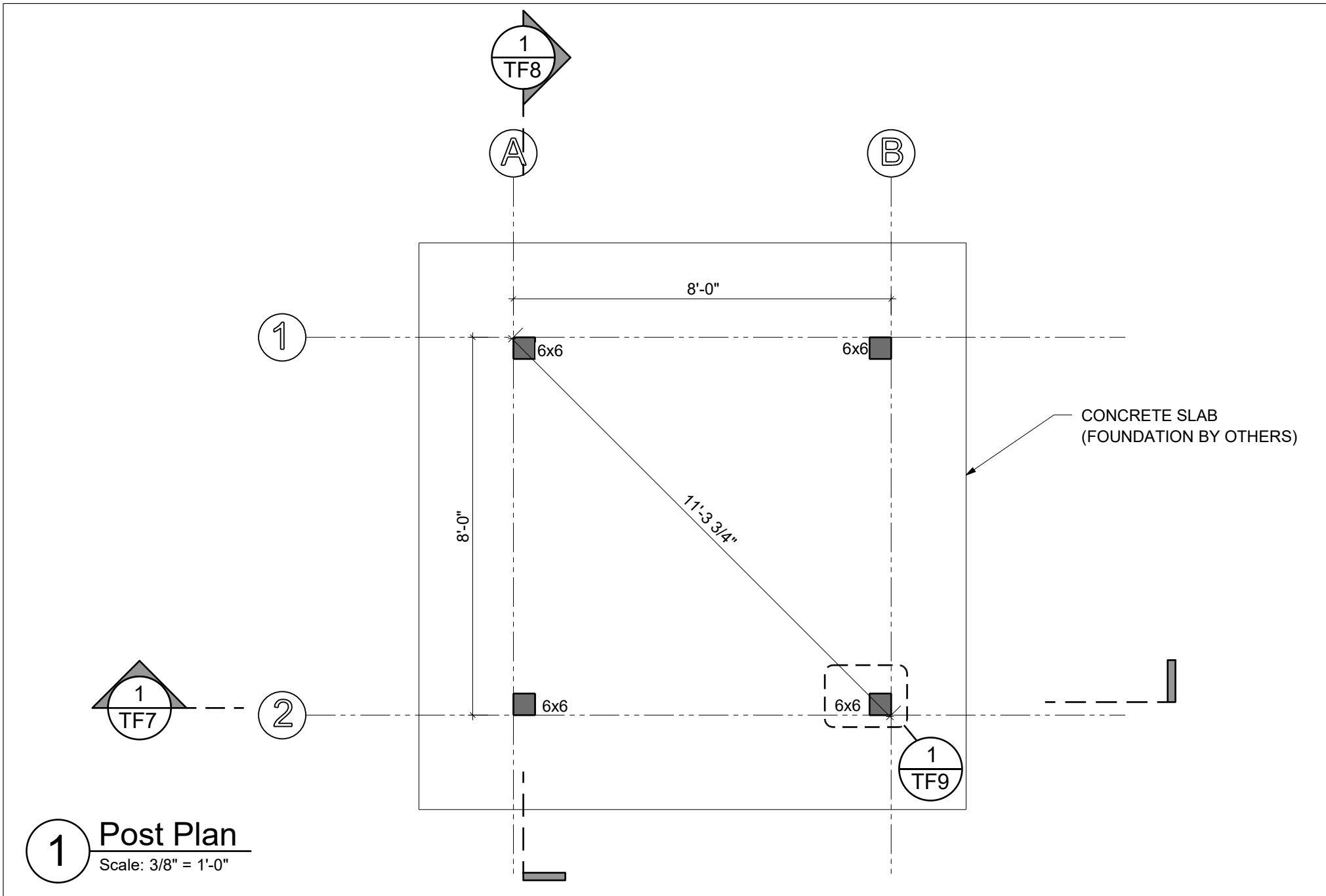


8x8 Pergola

DATE:	05-14-25
REV.:	
DRAWN BY:	TM

SHEET NO:

2



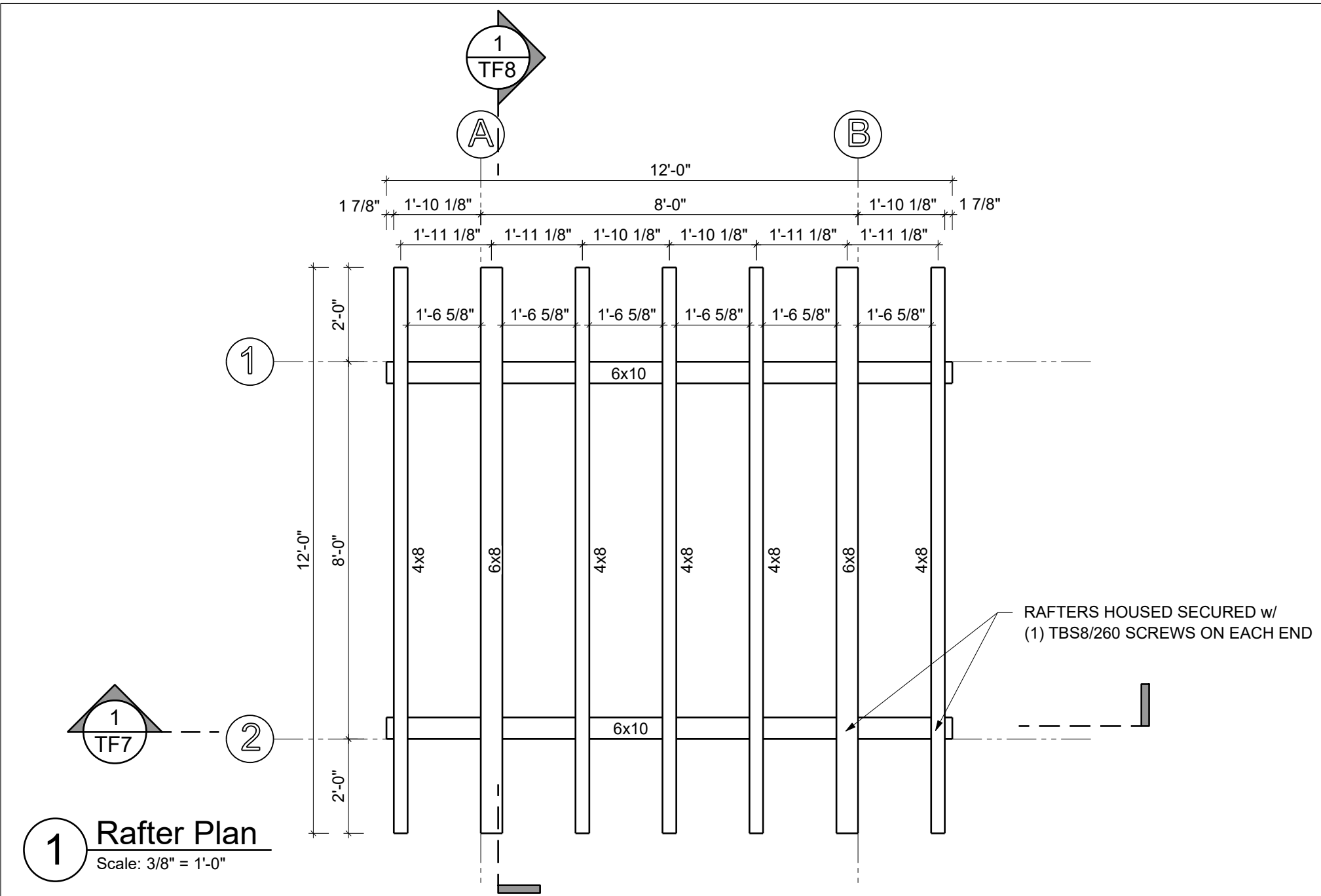
Copyright 2025 - Timber Frame HQ. Reproduction and/or use without written permission is prohibited. These are Design Only plans unless sealed by a State Licensed Professional Engineer. TFHQ assumes no responsibility and does not warranty these plans



8x8 Pergola

DATE:	05-14-25
REV.:	
DRAWN BY:	TM

SHEET NO:	3
-----------	----------



Copyright 2025 - Timber Frame HQ. Reproduction and/or use without written permission is prohibited. These are Design Only plans unless sealed by a State Licensed Professional Engineer. TFHQ assumes no responsibility and does not warranty these plans

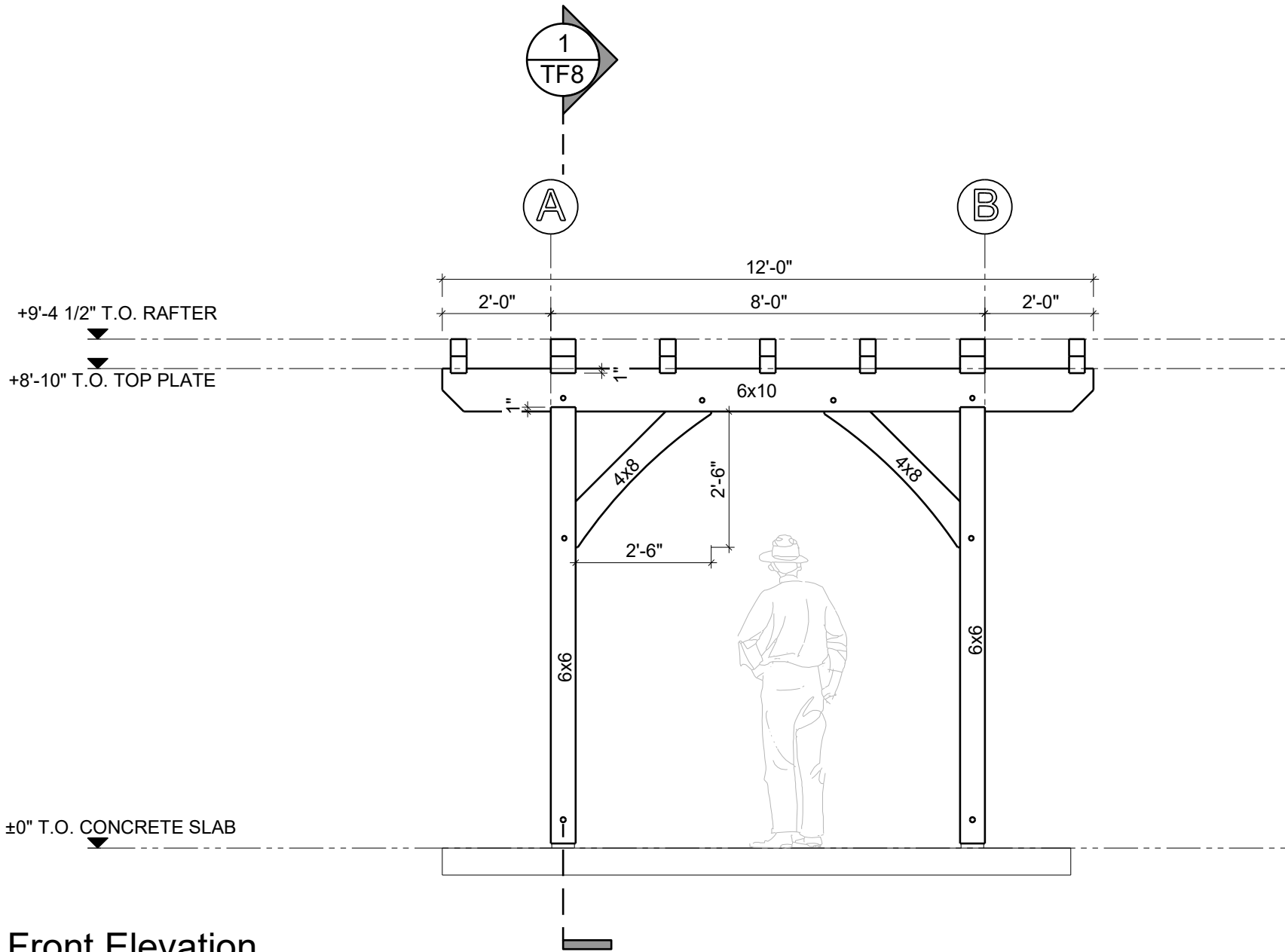


8x8 Pergola

DATE: 05-14-25
REV.:
DRAWN BY: TM

SHEET NO:


4



1 Front Elevation
 Scale: 3/8" = 1'-0"

Copyright 2025 - Timber Frame HQ. Reproduction and/or use without written permission is prohibited. These are Design Only plans unless sealed by a State Licensed Professional Engineer. TFHQ assumes no responsibility and does not warranty these plans

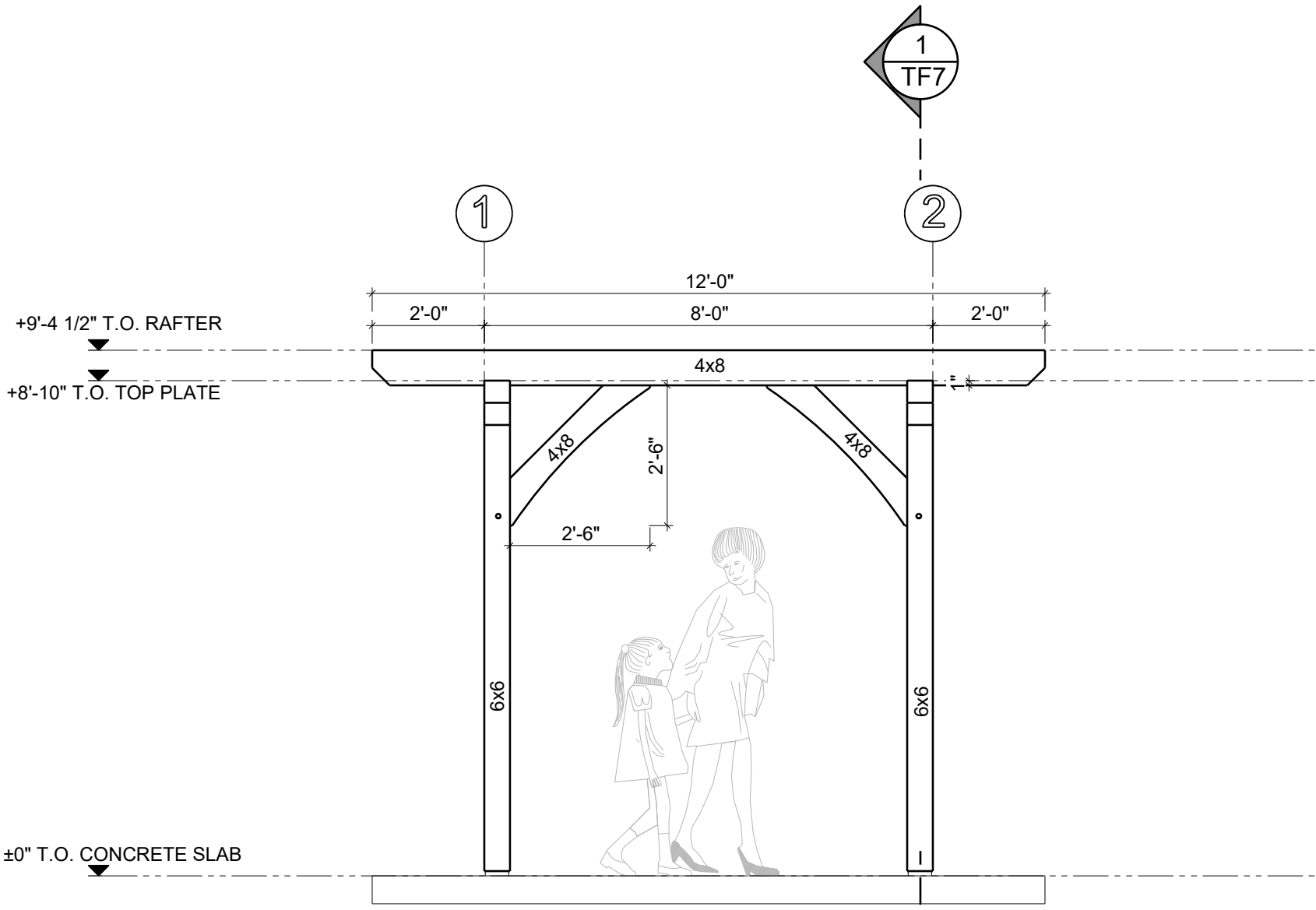
Timber Frame HQ
 P.O. Box 133
 Mountain Rest, SC 29664
 888-552-9379
 timberframehq.com



8x8 Pergola

DATE:	05-14-25
REV.:	
DRAWN BY:	TM


SHEET NO:
5



1 Left Elevation
Scale: 3/8" = 1'-0"

Copyright 2025 - Timber Frame HQ. Reproduction and/or use without written permission is prohibited. These are Design Only plans unless sealed by a State Licensed Professional Engineer. TFHQ assumes no responsibility and does not warranty these plans

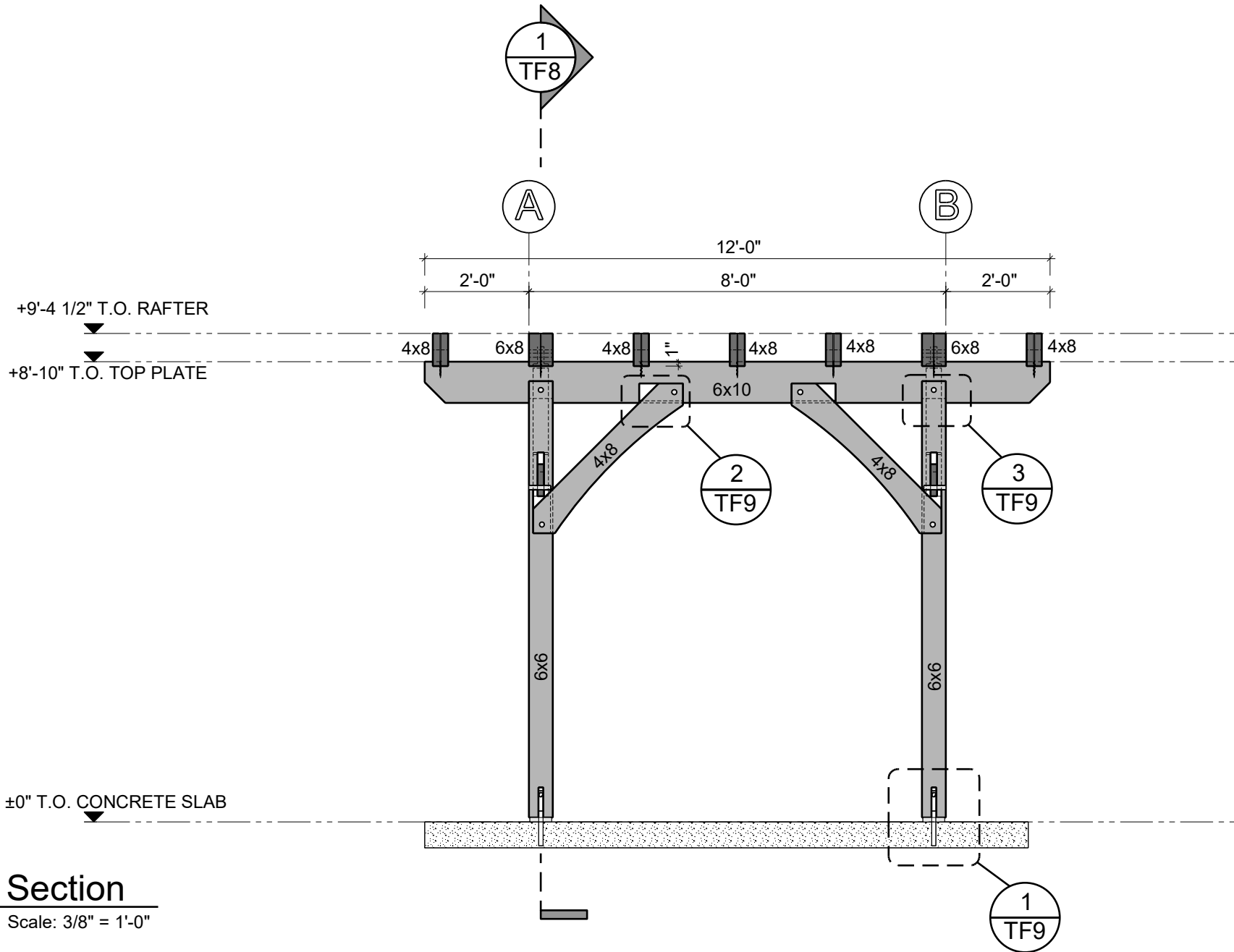
Timber Frame HQ
 P.O. Box 133
 Mountain Rest, SC 29664
 888-552-9379
 timberframehq.com



8x8 Pergola

DATE:	05-14-25
REV.:	
DRAWN BY:	TM


SHEET NO:
6



1 Section
 Scale: 3/8" = 1'-0"

Copyright 2025 - Timber Frame HQ. Reproduction and/or use without written permission is prohibited. These are Design Only plans unless sealed by a State Licensed Professional Engineer. TFHQ assumes no responsibility and does not warranty these plans

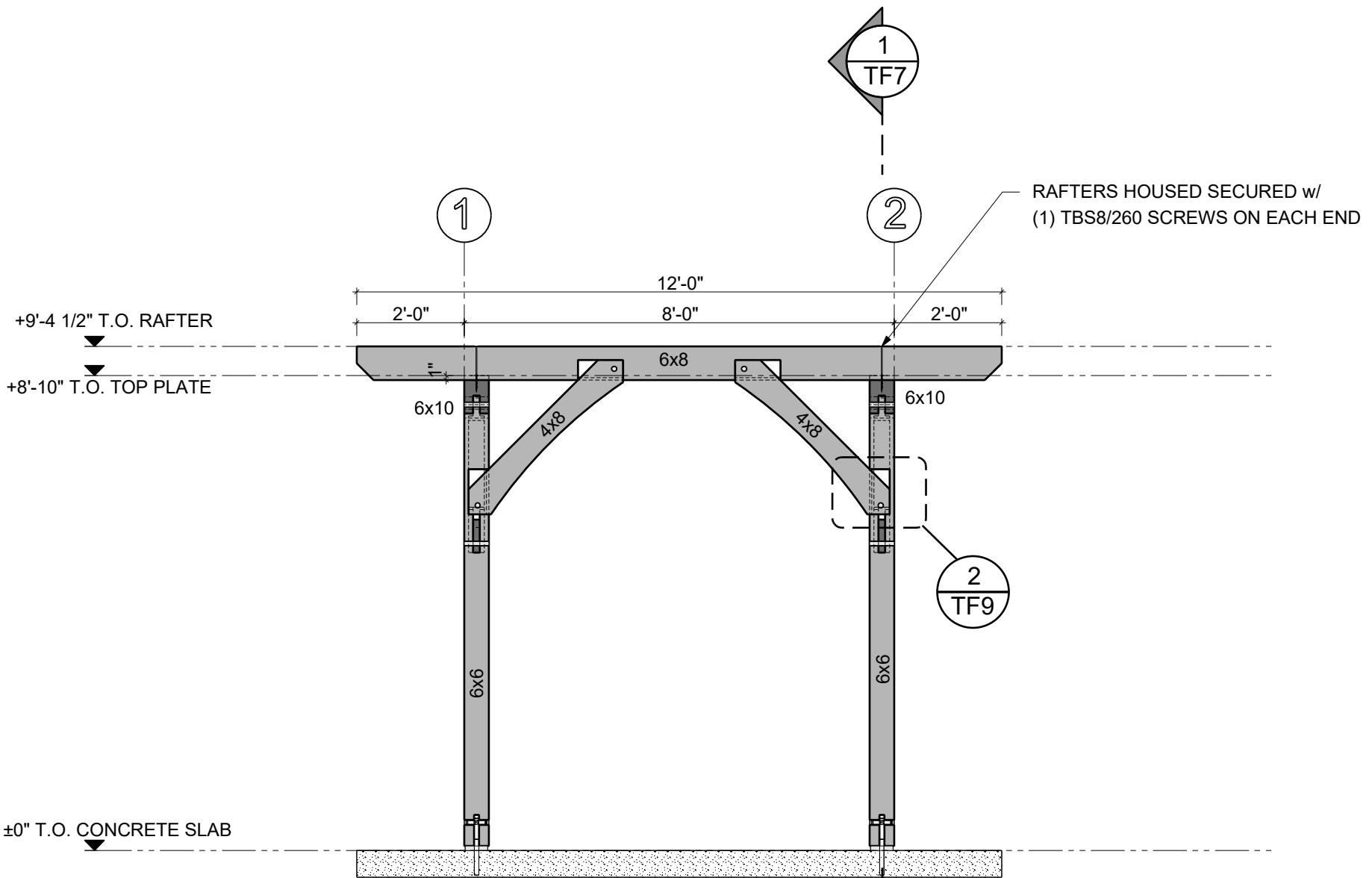
Timber Frame HQ
 P.O. Box 133
 Mountain Rest, SC 29664
 888-552-9379
 timberframehq.com



8x8 Pergola

DATE:	05-14-25
REV.:	
DRAWN BY:	TM


SHEET NO:
7



1 Section
 Scale: 3/8" = 1'-0"

Copyright 2025 - Timber Frame HQ. Reproduction and/or use without written permission is prohibited. These are Design Only plans unless sealed by a State Licensed Professional Engineer. TFHQ assumes no responsibility and does not warranty these plans

Timber Frame HQ
 P.O. Box 133
 Mountain Rest, SC 29664
 888-552-9379
 timberframehq.com

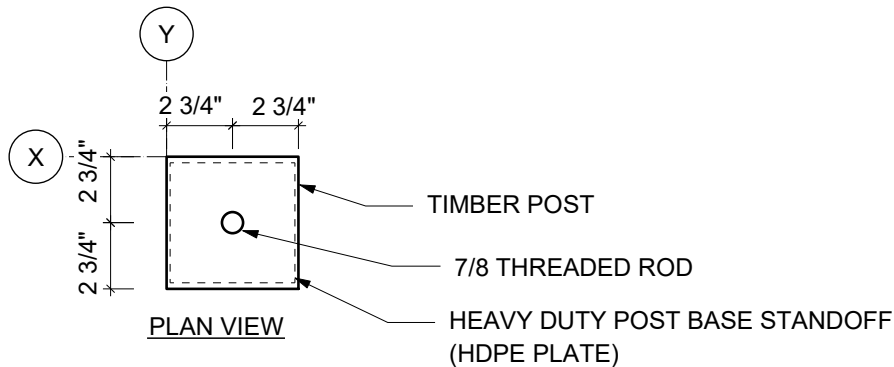
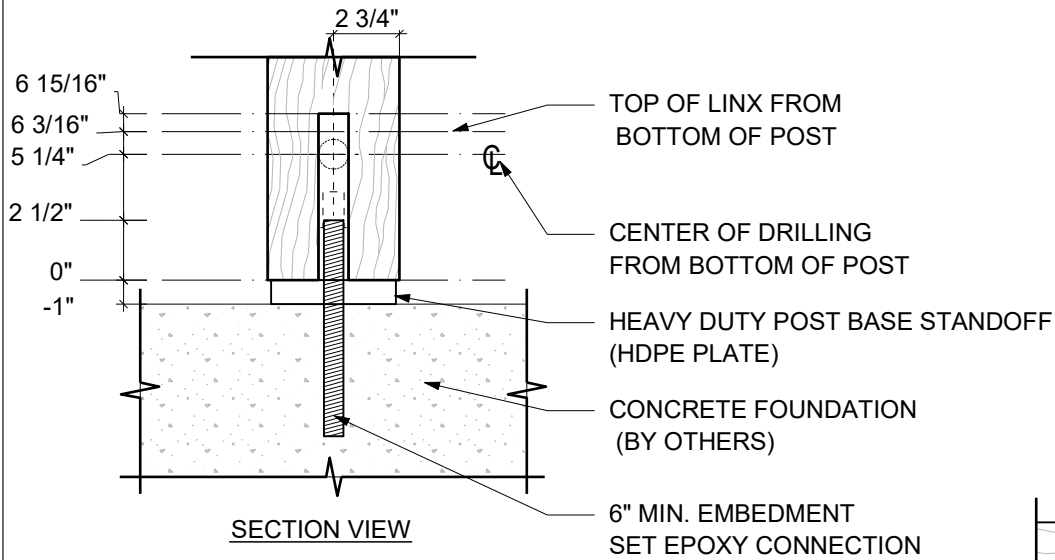


8x8 Pergola

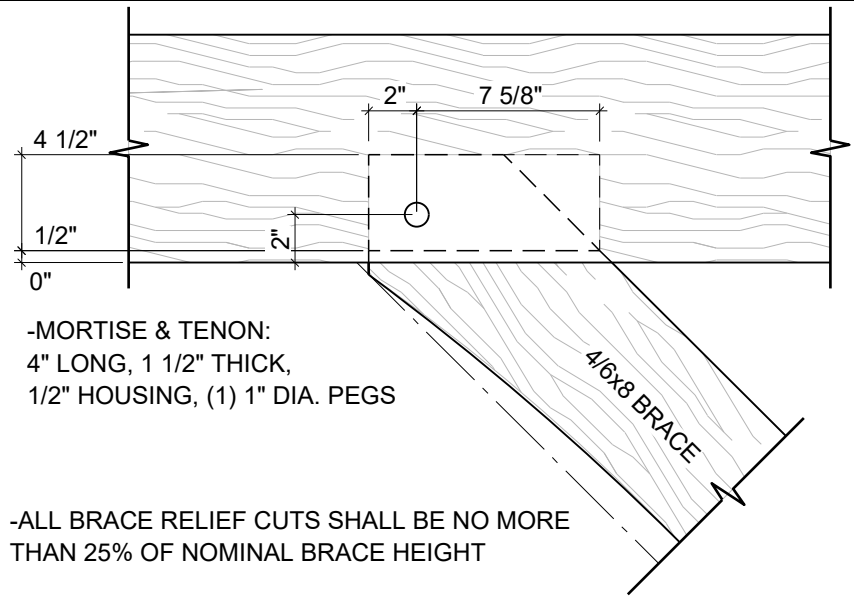
DATE:	05-14-25
REV.:	
DRAWN BY:	TM

SHEET NO:
8

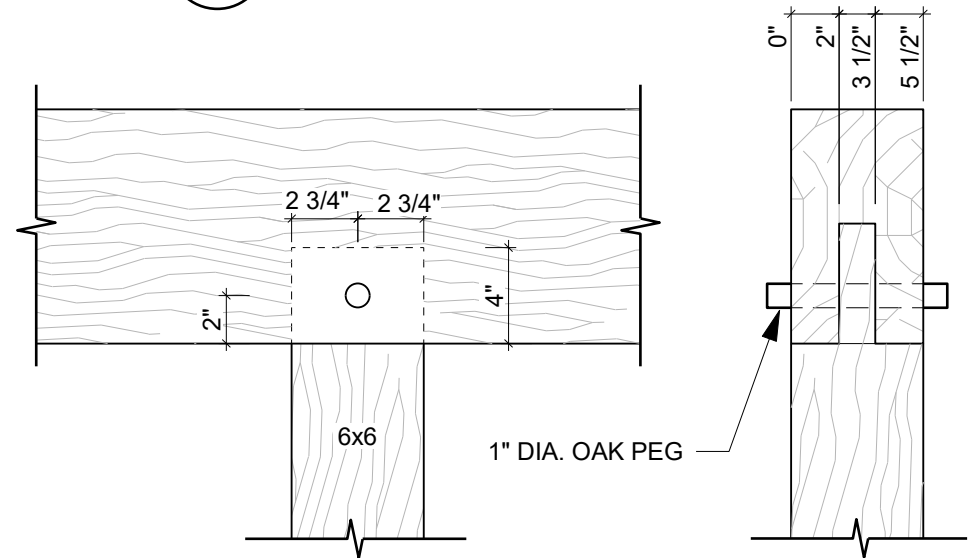
- TIMBERLINX A475 CONNECTION
- PIN EXPANDS TO APPLY FORCE BETWEEN TOP OF LINX ORIFICE AND BOTTOM OF LEVEL DRILLING IN POST
- PRECISION IS REQUIRED
- CONSULT FOR APPROVED EQUIVALENT POST CONNECTION
- BOTH OPTIONS REQUIRE 6" MIN. EMBEDMENT OF 7/8" ROD INTO CONCRETE
- SEAL ENDGRAIN OF POST BOTTOM



1 Post Base: Timberlinx A475
Scale: 1 1/2" = 1'-0"



2 Typical S4S Brace: 4" Tenon
Scale: 1 1/2" = 1'-0"



3 Post Top Tenon
Scale: 1 1/2" = 1'-0"

Copyright 2025 - Timber Frame HQ. Reproduction and/or use without written permission is prohibited. These are Design Only plans unless sealed by a State Licensed Professional Engineer. TFHQ assumes no responsibility and does not warranty these plans

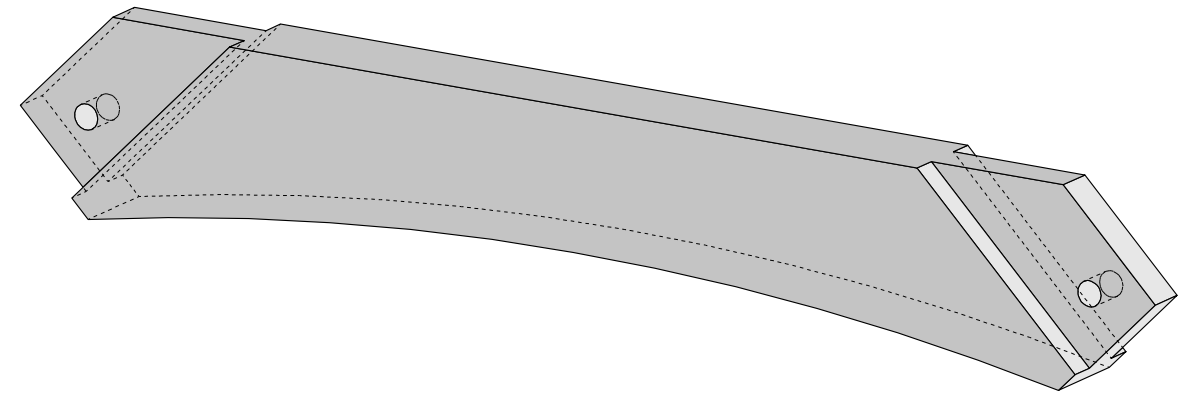
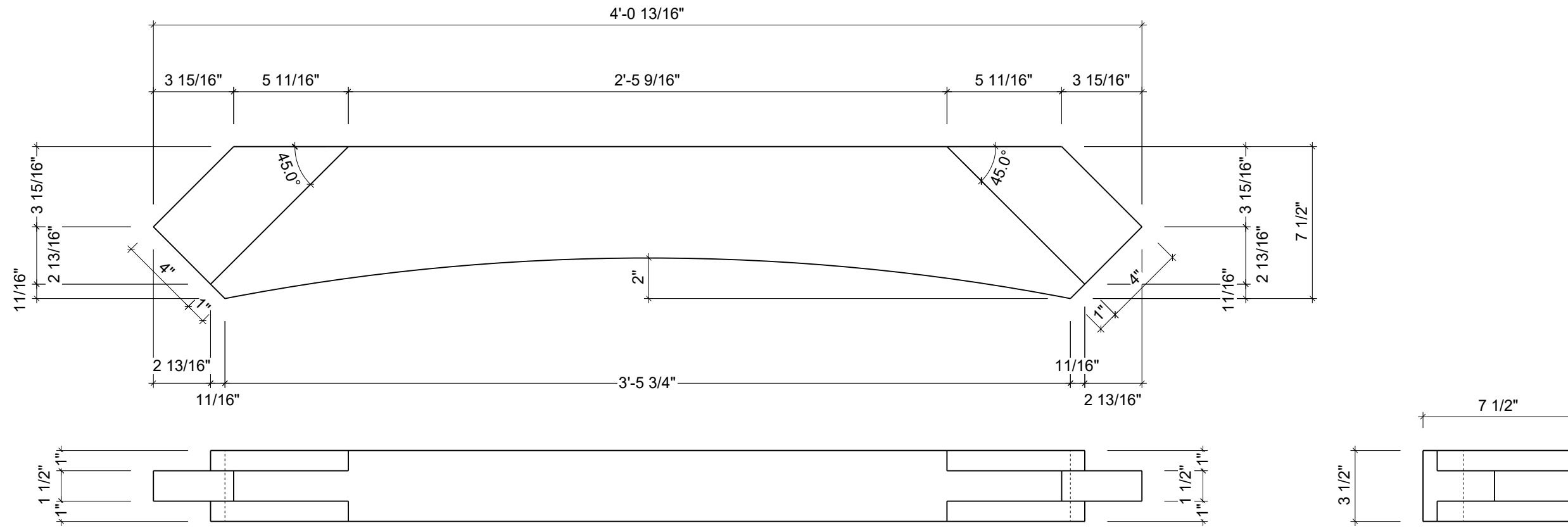
Timber Frame HQ
P.O. Box 133
Mountain Rest, SC 29664
888-552-9379
timberframehq.com

8x8 Pergola

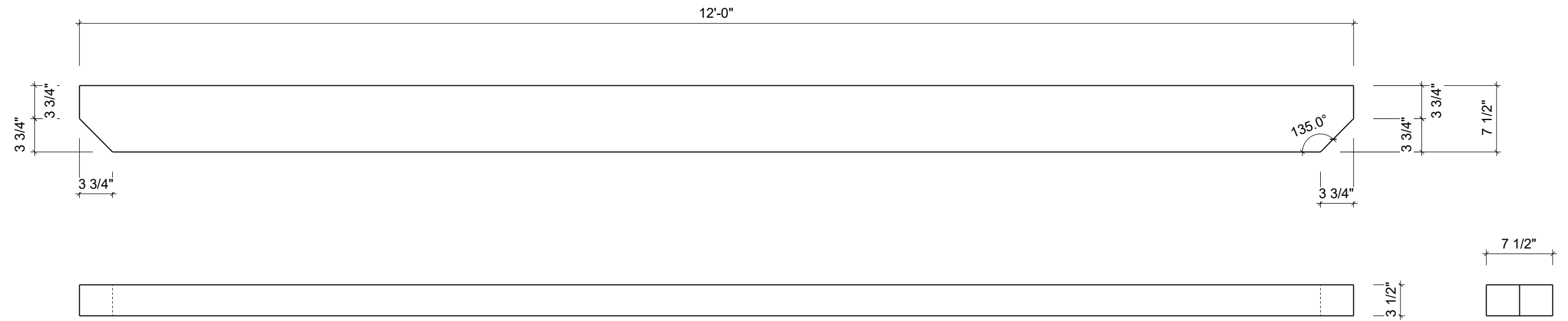
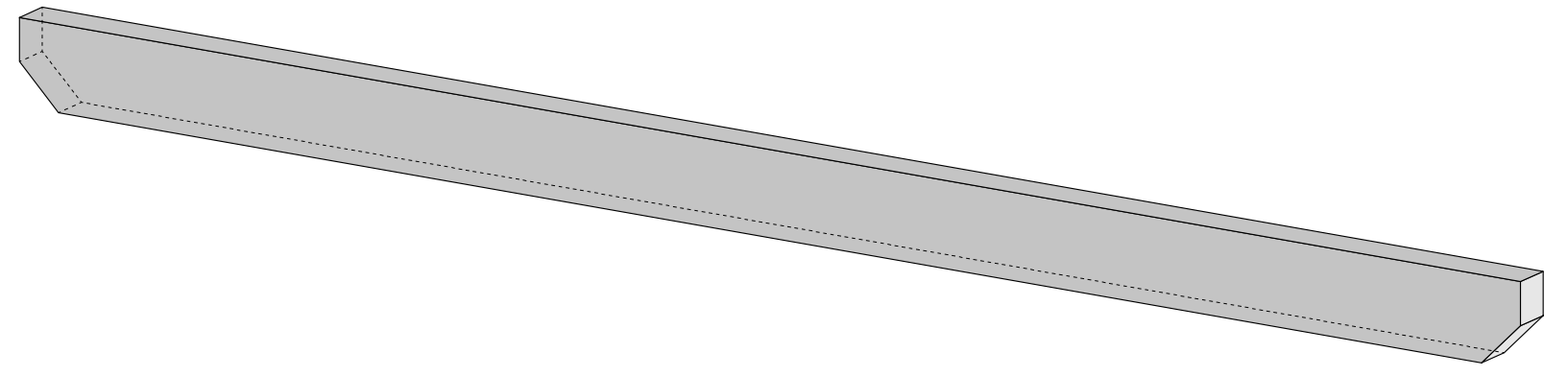
DATE:	05-14-25
REV.:	
DRAWN BY:	TM

SHEET NO:	9
-----------	---

Copyright 2025 - Timber Frame HQ. Reproduction and/or use without written permission is prohibited. These are Design Only plans unless sealed by a State Licensed Professional Engineer. TFHQ assumes no responsibility and does not warranty these plans



Copyright 2025 - Timber Frame HQ. Reproduction and/or use without written permission is prohibited. These are Design Only plans unless sealed by a State Licensed Professional Engineer. TFHQ assumes no responsibility and does not warrant these plans



Timber Frame HQ
P.O. Box 133
Mountain Rest, SC 29664
888-552-9379
timberframehq.com



8x8 Pergola

DATE: 05-09-25
REV.:
DRAWN BY: TM

Common Rafter

QUANTITY: 5

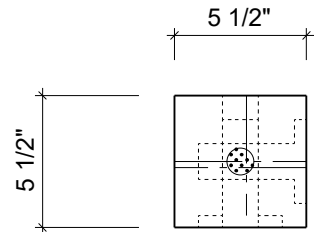
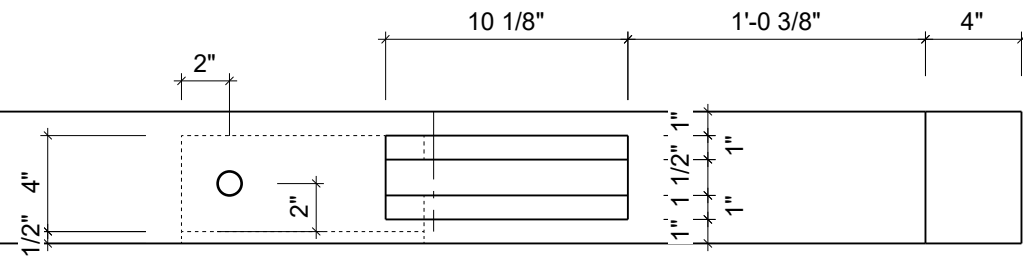
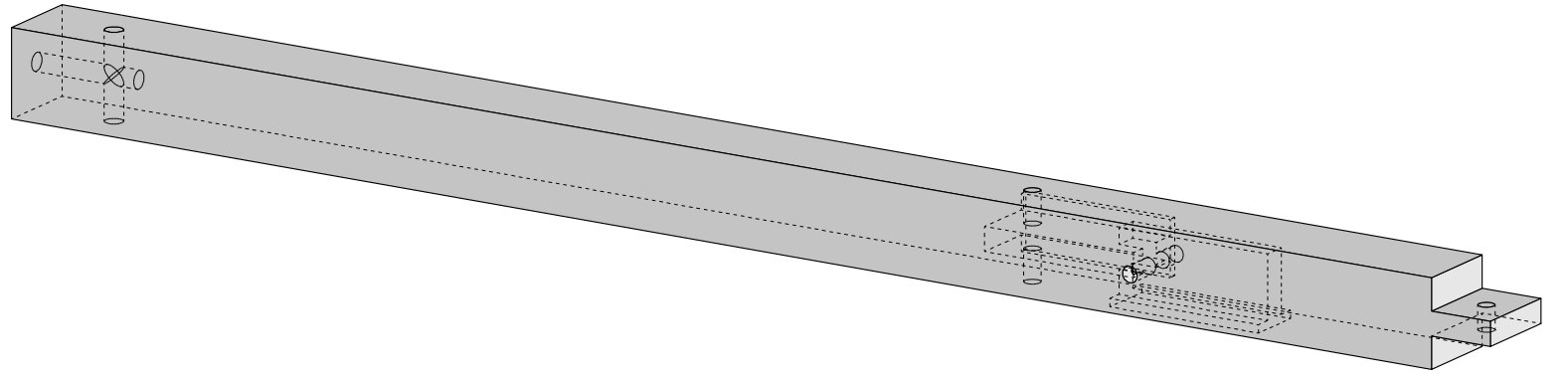
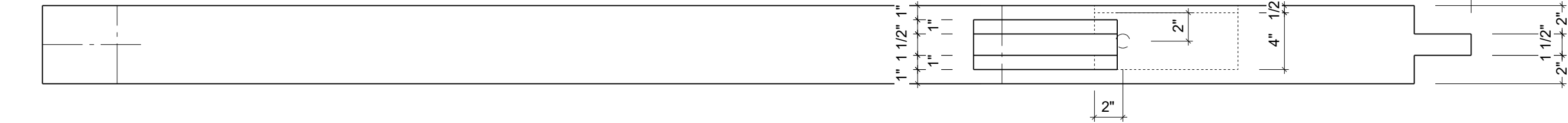
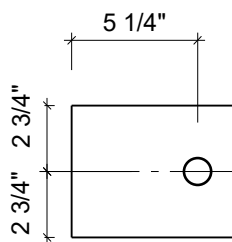
PRODUCTION NO:

2

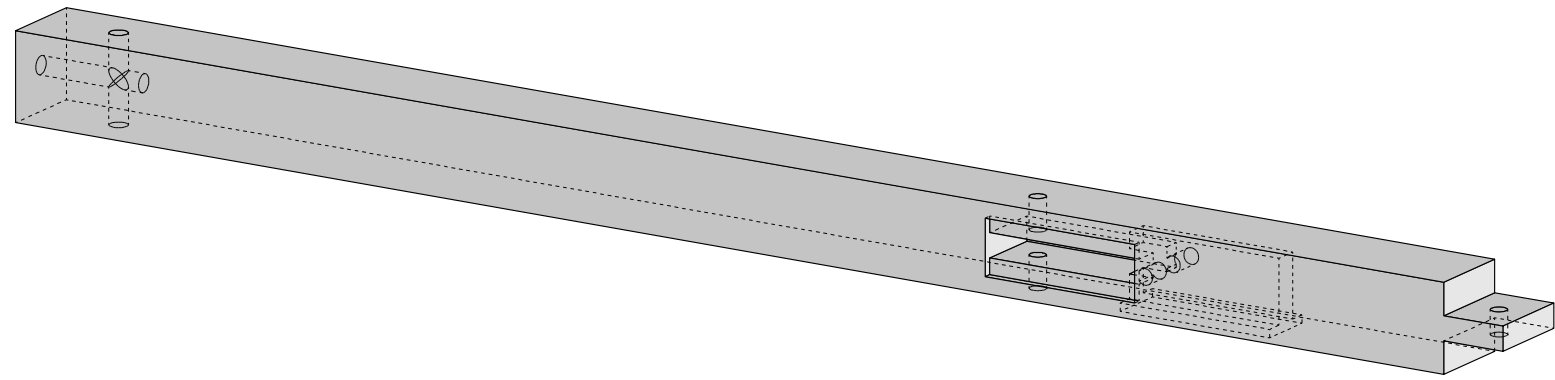
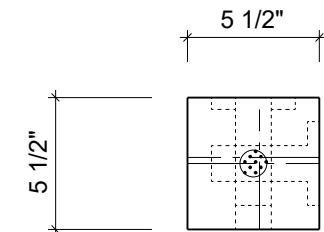
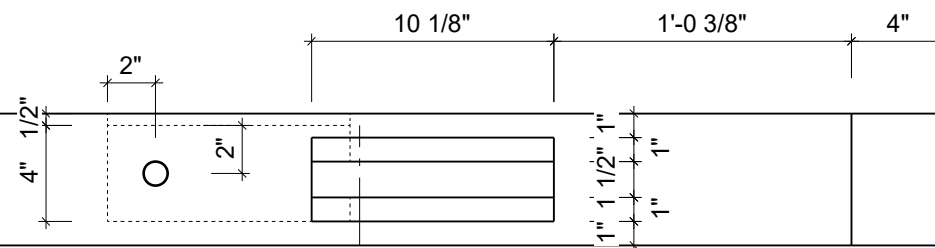
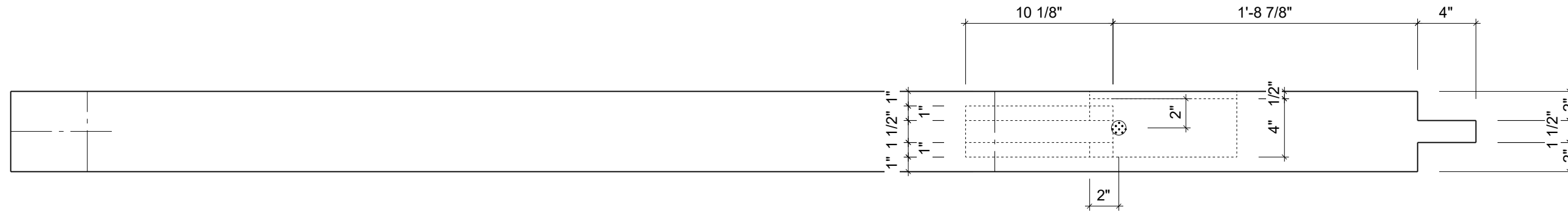
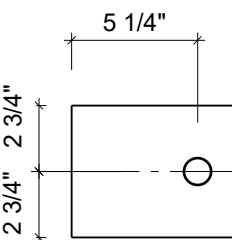
SHEET NO:

2

Copyright 2025 - Timber Frame HQ. Reproduction and/or use without written permission is prohibited. These are Design Only plans unless sealed by a State Licensed Professional Engineer. TFHQ assumes no responsibility and does not warranty these plans



Copyright 2025 - Timber Frame HQ. Reproduction and/or use without written permission is prohibited. These are Design Only plans unless sealed by a State Licensed Professional Engineer. TFHQ assumes no responsibility and does not warranty these plans



Timber Frame HQ
P.O. Box 133
Mountain Rest, SC 29664
888-552-9379
timberframehq.com



8x8 Pergola

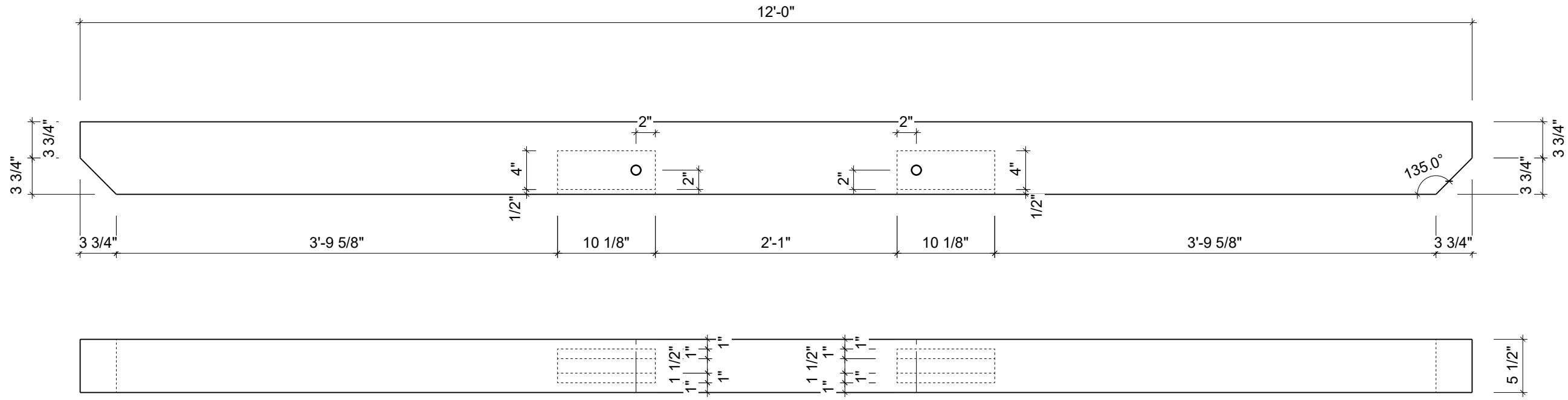
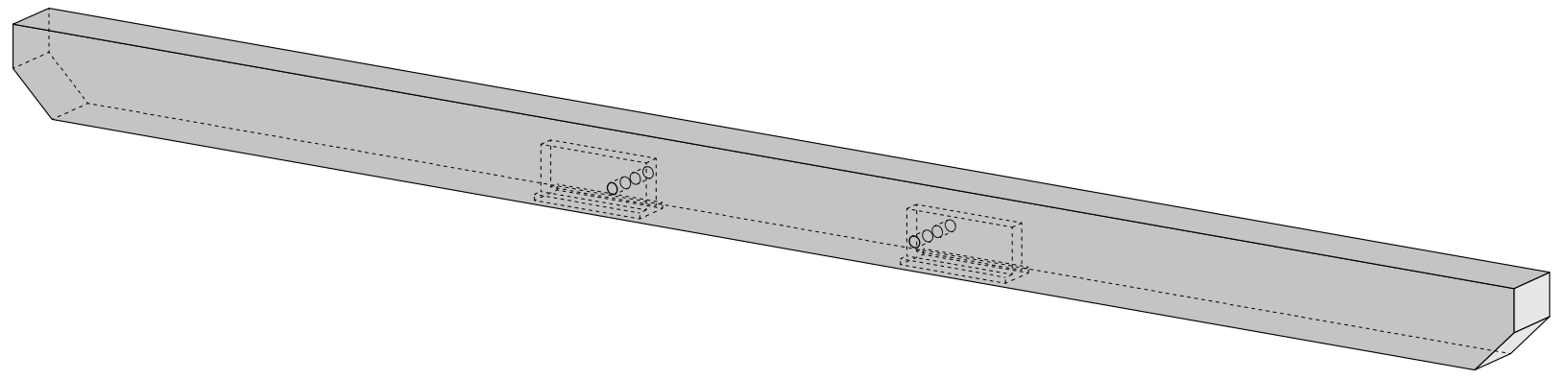
DATE: 05-09-25
REV.:
DRAWN BY: TM

Post
QUANTITY: 2

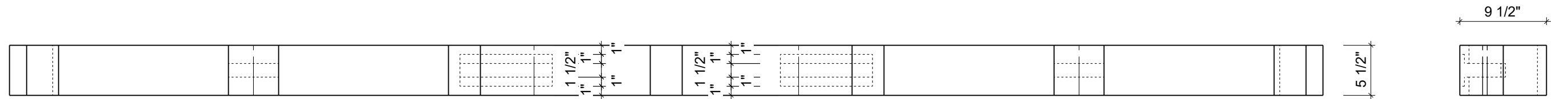
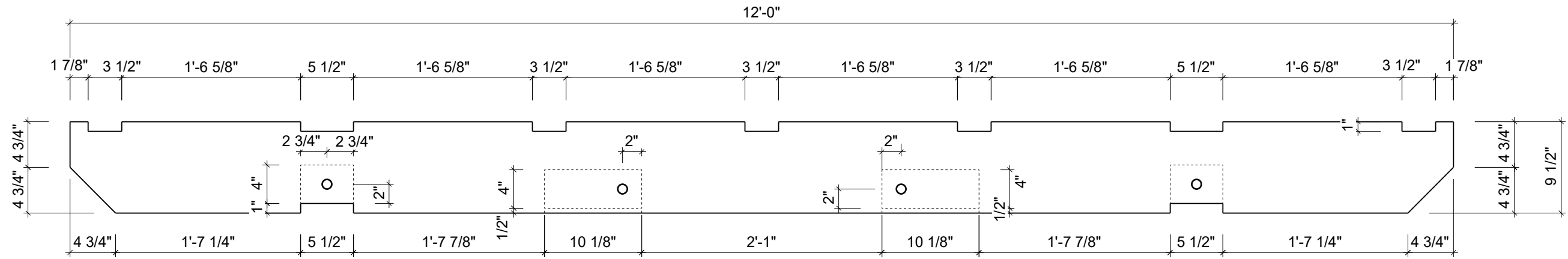
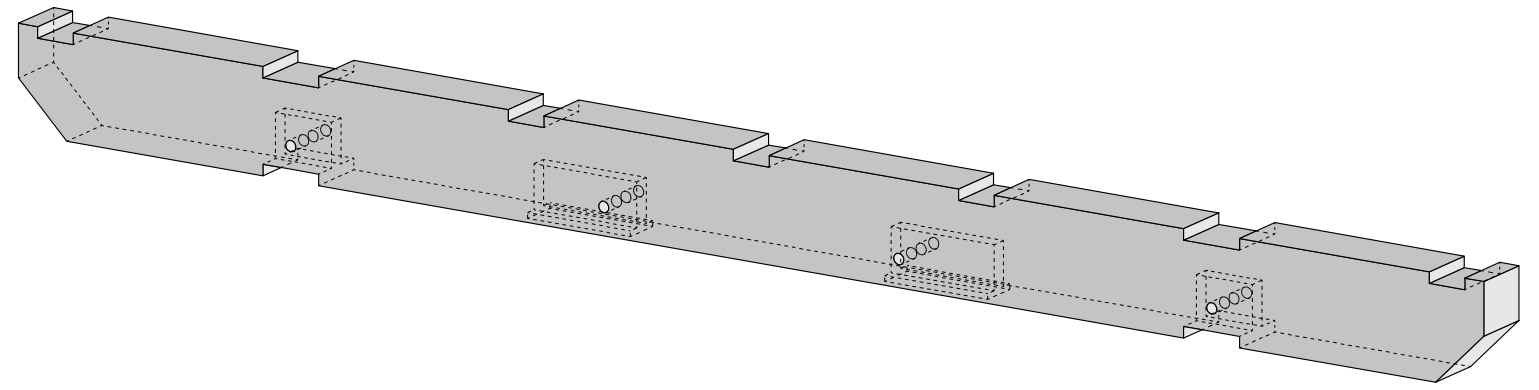
PRODUCTION NO:
4

SHEET NO:
4

Copyright 2025 - Timber Frame HQ. Reproduction and/or use without written permission is prohibited. These are Design Only plans unless sealed by a State Licensed Professional Engineer. TFHQ assumes no responsibility and does not warrant these plans.



Copyright 2025 - Timber Frame HQ. Reproduction and/or use without written permission is prohibited. These are Design Only plans unless sealed by a State Licensed Professional Engineer. TFHQ assumes no responsibility and does not warranty these plans



HARDWARE AND PEGS

Project name: 8x8 Pergola

Date: 05-08-2025



Peg List Notes: Round pegs up to 10" Lengths. Pegs should be cut to length during and after assembly.

TL (Timberlinx) Notes: If Applicable: TL Drillings are signifying the diameter of the drilled holes. Order 1 1/8" dia. pegs to plug those holes. These pegs or plugs do not have to be long, Just enough to engage the hole and cover the embedded hardware. The TL anchors are included with ordering the TL Part. You do not have to order the anchors separately. You will need 7/8 threaded rods for these connections. This is not included in the list below.

QTY	SKU#	Manufacturer	Manufacturer Name	TFHQ Product Name	Type	URL
4	58982	TFHQ	58982	6x6 Heavy Duty Post Base	Connector	
4	41894	TFHQ	41894	7/8" x 12" Threaded Rod	Connector	https://tfhq.link/41894
4	TLINXPIN4	Timberlinx	4" PIN	Timberlinx 4" Pin	Connector	Comes with TLX connector
4	39895	Timberlinx	A095	Timberlinx A095 Connector	Connector	https://tfhq.link/39895
14	9144	Rothoblaas	TBS8260	TBS Ø8mm (5/16") x 260mm (10") Screw	Screw	https://tfhq.link/9144
20	3656	TFHQ	3656	1" x 10" White Oak Peg	Wooden	https://tfhq.link/3656
8	49874	TFHQ	49874	White Oak 1-1/8" x 2" Plug	Wooden	

